

E700 SERIES FIXED (PICTURE WINDOW)

FEATURES

- ◇ **Commercial Framing System**
 - 3 1/4" main frame
 - 0.062" wall thickness of frame and sash
- ◇ **Thermally Enhanced Design**
 - Azon pour and debridge thermal break is 1/2" wide in all main frame and vent rail extrusions
- ◇ **Glazing**
 - Impact-rated glazing package
- ◇ **Screen**
 - Extruded aluminum screen frame with BetterVue™ mesh

OPTIONS

- ◇ **Available Configurations**
 - Fixed
- ◇ **Muntin Choices**
 - Internal or simulated divided lites available
- ◇ **Nailing Fin**
- ◇ **Glazing**
 - Multiple Low-E and argon glazing choices
 - Capillary tubes
 - Wide variety of glazing, tinting and thickness options
- ◇ **Panning & Trim Choices**
 - Wide variety of panning, receptor and trim available

BENEFITS

- ◇ Meets ASTM 1886 (Large Missile Impact testing)
- ◇ The capacity to match exterior colors for unique project facades
- ◇ The ability to facilitate large sizes for taller and wider window openings

PERFORMANCE

- ◇ Structural Performance (test reports or thermal simulations available upon request)

Model	Fixed (Picture Window)
Test Size	72" x 95"
NAFS Rating	CW-70
Structural Load P.S.F.	105
Air at 50 MPH (cfm/ft ²)	<0.10
Water (No Penetration) P.S.F.	
U-Value (with Low-E and Argon)	
SHGC (with Low-E and Argon)	

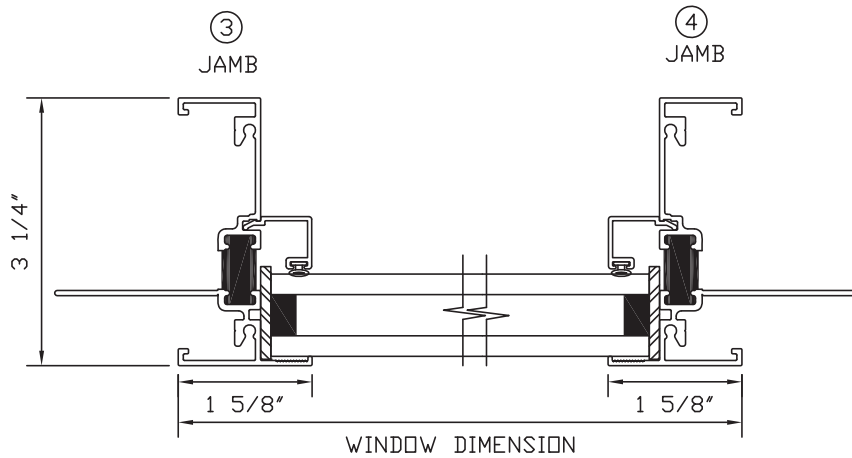
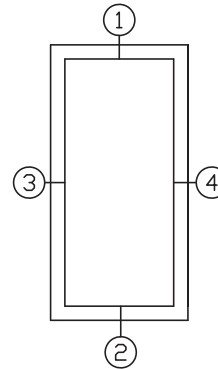
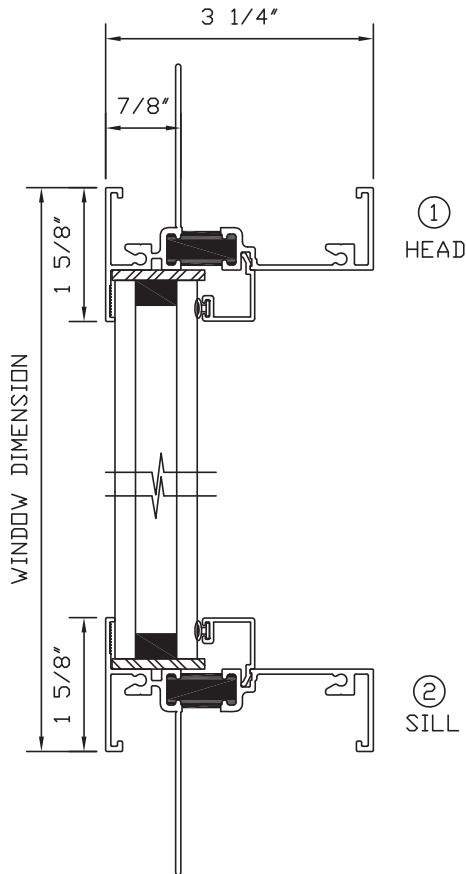




E700 Series 3 1/4" Frame Depth Fixed (Picture Window)

E700 SERIES FIXED (PICTURE WINDOW)

This document contains confidential and proprietary information intended for the private use of Quaker.
© 2016 Quaker Window Products Co., INC. All rights reserved.
Quaker reserves the right to change any/all designs without notice. Due to periodic re-certification requirements, result shown may vary.



EXTERIOR VIEW

Our products are tested to the standards of and certified by some of the foremost organizations in the fenestration industry.

