

E300 Series 3 1/4" Frame Depth Horizontal Slider

E300 SERIES HORIZONTAL SLIDER

FEATURES

- ◇ Commercial Framing System
 - 3 1/4" main frame
 - 0.062" wall thickness of frame
- ◇ Thermally Enhanced Design
 - Azon pour and debridge thermal break is 1/2" wide in all main frame and vent rail extrusions
 - Frame and sash mitered and joined with screw fasteners
 - Fin seal wool pile weatherstripping
 - Positive interlocks
- ◇ Glazing
 - 1" insulated glass
- ◇ Hardware
 - Ball bearing rollers with nylon tire for easy operation
 - Gravity latch
- ◇ Screen
 - Extruded aluminum screen frame with BetterVue™ mesh with WaterShed® technology

BENEFITS

- ◇ The capacity to match exterior colors for unique project facades
- ◇ The ability to facilitate large sizes for taller and wider window openings

PERFORMANCE

- ◇ Structural & Thermal (test reports or thermal simulations available upon request)

OPTIONS

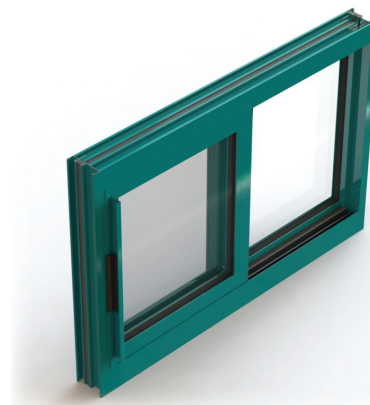
- ◇ Available Configurations
 - Fixed-Active
 - Active-Fixed
 - Active-Fixed-Active
 - Fixed-Active-Fixed
- ◇ Muntin Choices
 - Internal or simulated divided lites available
- ◇ Hardware
 - Sweep lock
 - Night latch
 - Limited travel latch
 - Wide variety of locking and operating hardware options
- ◇ Nailing Fin
- ◇ Screen
 - Extruded aluminum screen frame with aluminum wire mesh
 - Extruded aluminum screen frame with sunscreen mesh
 - Extruded aluminum screen frame with stainless steel 0.009" thickness mesh
 - Security screen (limitations apply)
- ◇ Glazing
 - Multiple Low-E + argon glazing choices
 - Capillary tubes
 - Wide variety of glazing, tinting and thickness options
- ◇ Panning & Trim Choices
 - Wide variety of panning, receptor and trim available
- ◇ Mulling
 - Wide variety of structural mulls
- ◇ Specialty
 - Extension jambs

Model	Horizontal Slider
AAMA/WDMA/CSA 101/I.S.2/A440-08 Rating	CW-PG50
Structural Load P.S.F.	75.19
Air at 50 MPH (cfm/ft ²)	<0.10
Water (No Penetration) P.S.F.	7.52
U-Value (with Low-E and Argon)	0.35 - 0.40
SHGC (with Low-E and Argon)	0.14 - 0.31

Window test size: 72" x 60"

Operating Force: 6 lbf (maintain motion), 1 lbf (latches)

Our products are tested to the standards of and certified by some of the foremost organizations in the fenestration industry.

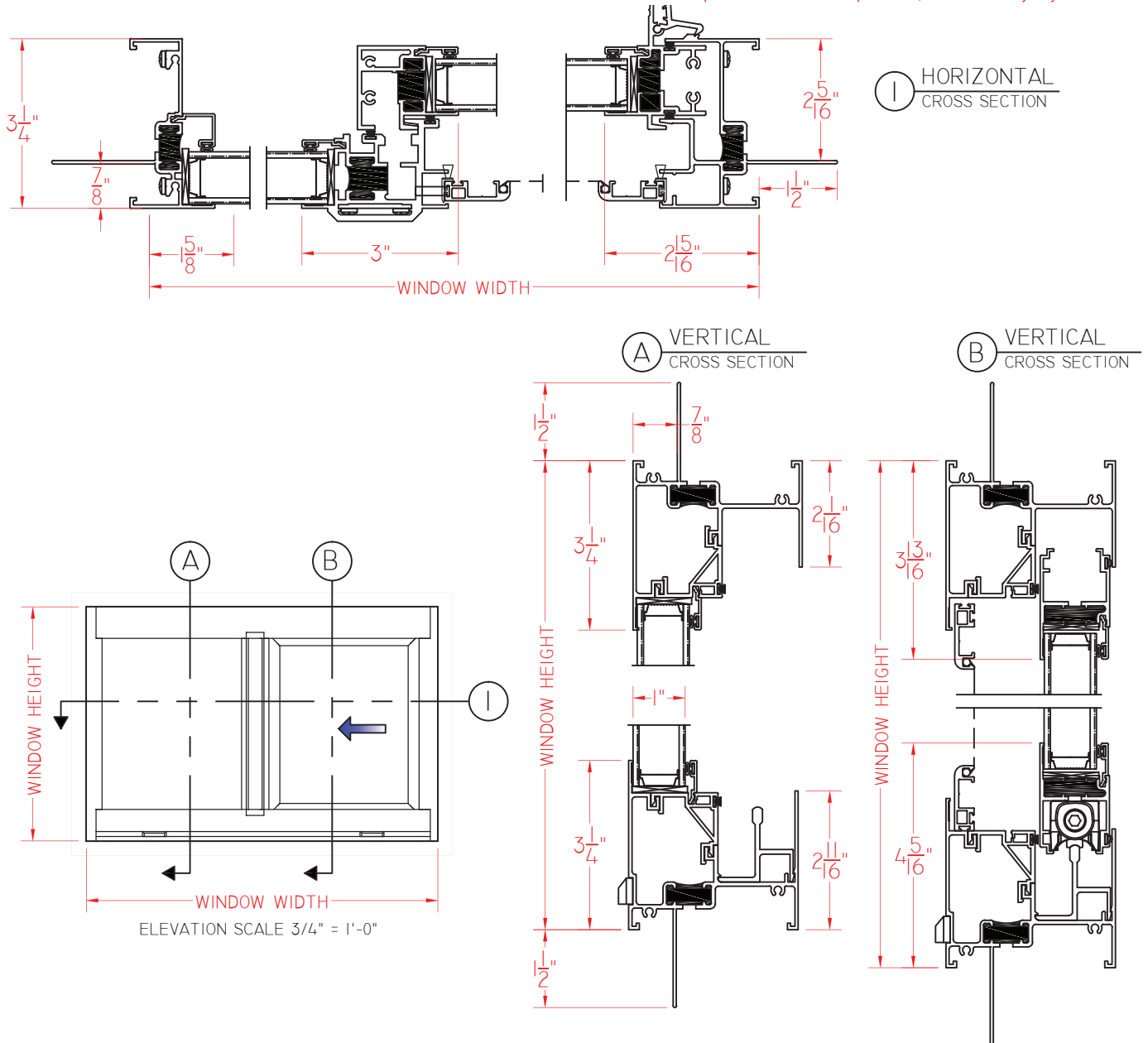




E300 Series 3 1/4" Frame Depth Horizontal Slider

E300 SLIDER WITH NAILING FIN

This document contains confidential and proprietary information intended for the private use of Quaker.
 © 2016 Quaker Window Products Co., INC. All rights reserved.
 Quaker reserves the right to change any/all designs without notice. Due to periodic re-certification requirements, result shown may vary.



SCALE 1:3

Our products are tested to the standards of and certified by some of the foremost organizations in the fenestration industry.

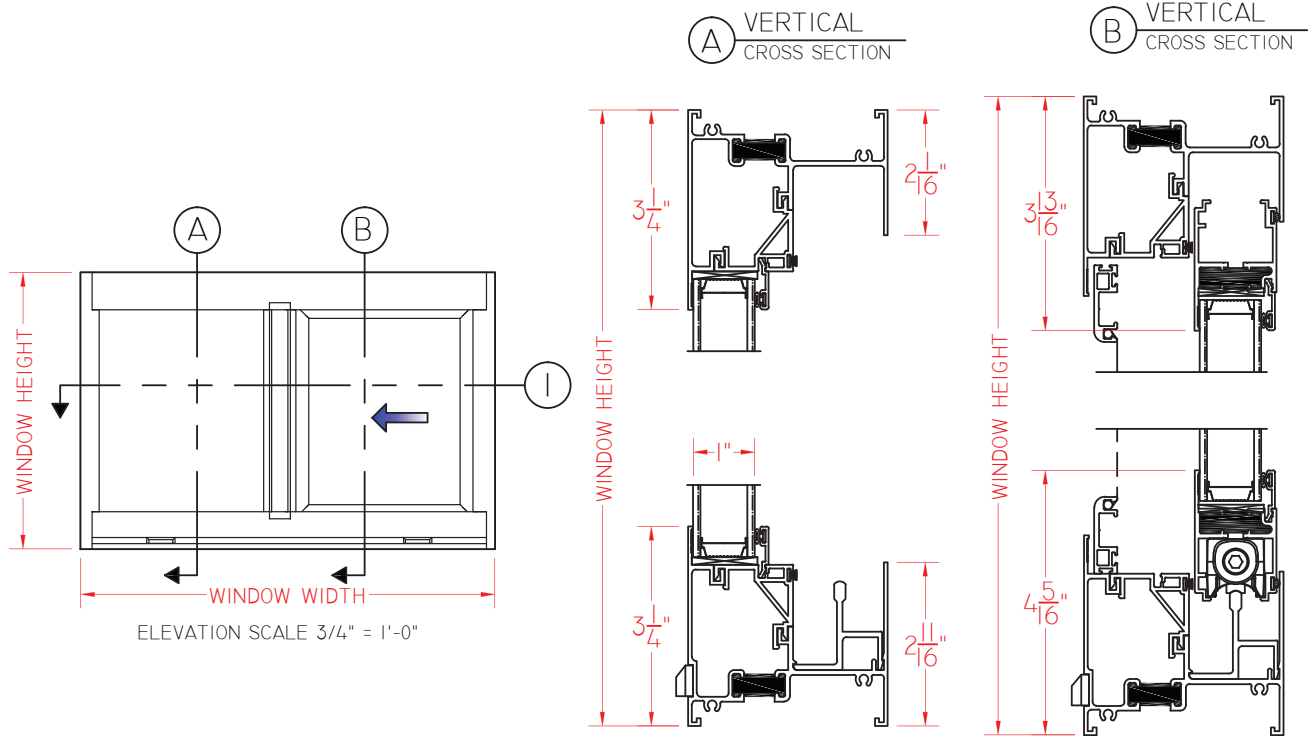
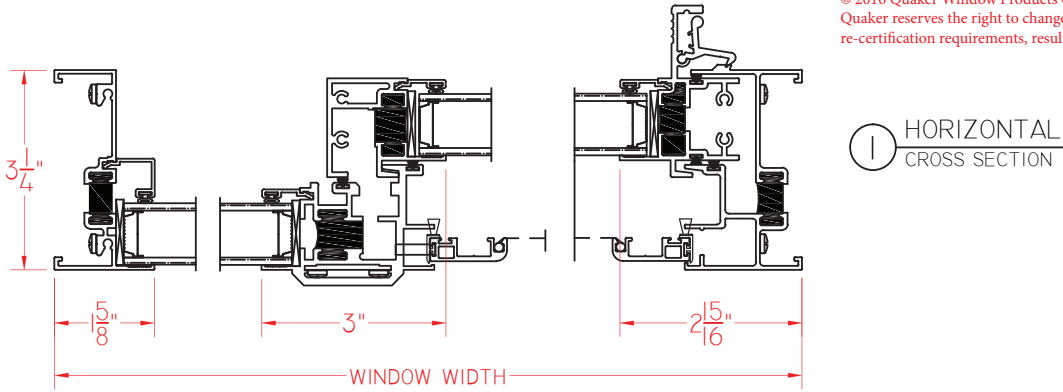




E300 Series 3 1/4" Frame Depth Horizontal Slider

E300 SLIDER WITHOUT NAILING FIN

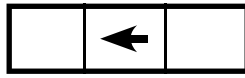
This document contains confidential and proprietary information intended for the private use of Quaker.
 © 2016 Quaker Window Products Co., INC. All rights reserved.
 Quaker reserves the right to change any/all designs without notice. Due to periodic re-certification requirements, result shown may vary.



SCALE 1:3

Our products are tested to the standards of and certified by some of the foremost organizations in the fenestration industry.

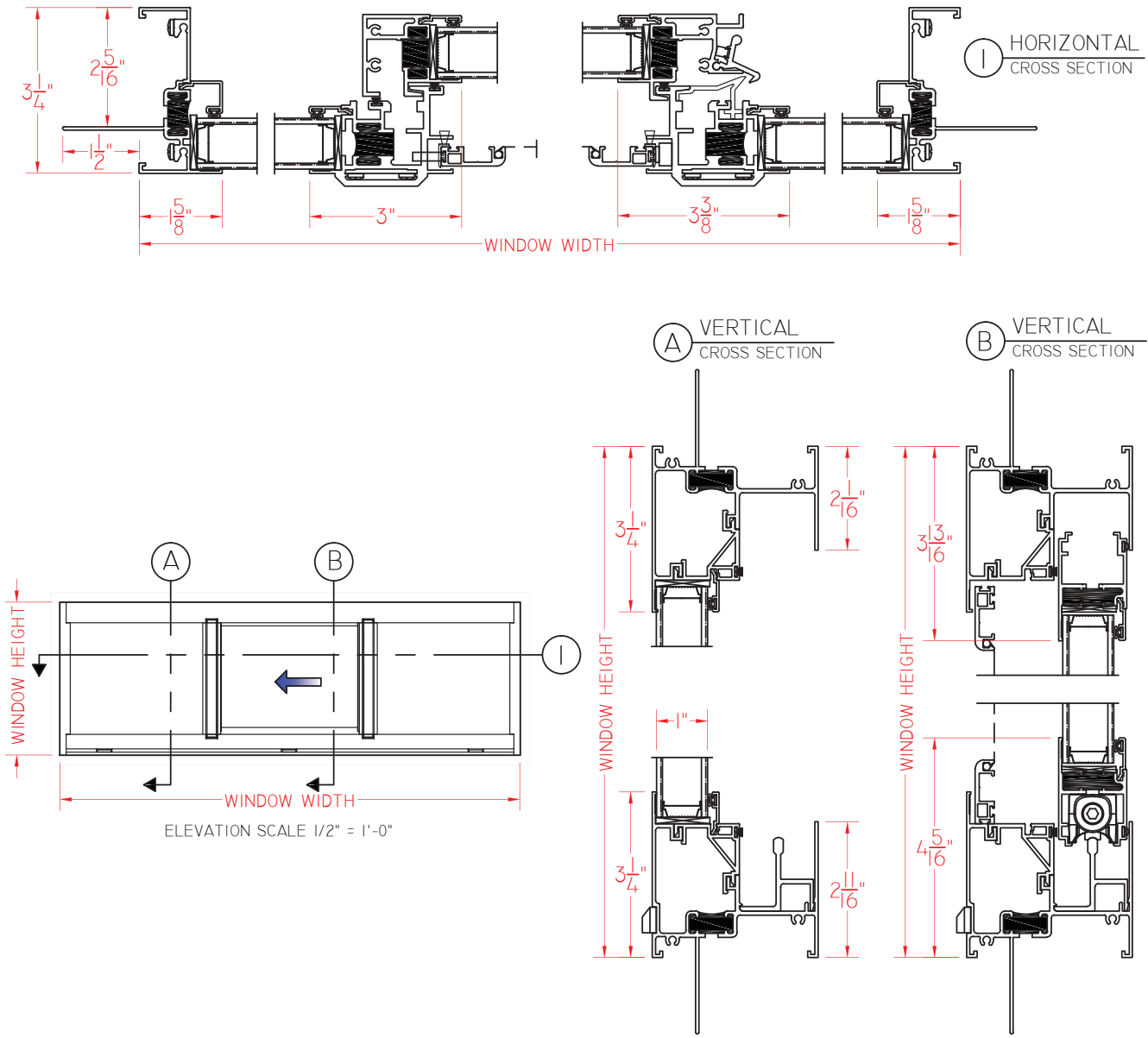




E300 Series 3 1/4" Frame Depth Horizontal Slider

E300 CENTER VENT SLIDER WITH NAILING FIN

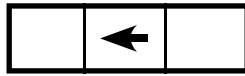
This document contains confidential and proprietary information intended for the private use of Quaker.
 © 2016 Quaker Window Products Co., INC. All rights reserved.
 Quaker reserves the right to change any/all designs without notice. Due to periodic re-certification requirements, result shown may vary.



SCALE 1:3

Our products are tested to the standards of and certified by some of the foremost organizations in the fenestration industry.

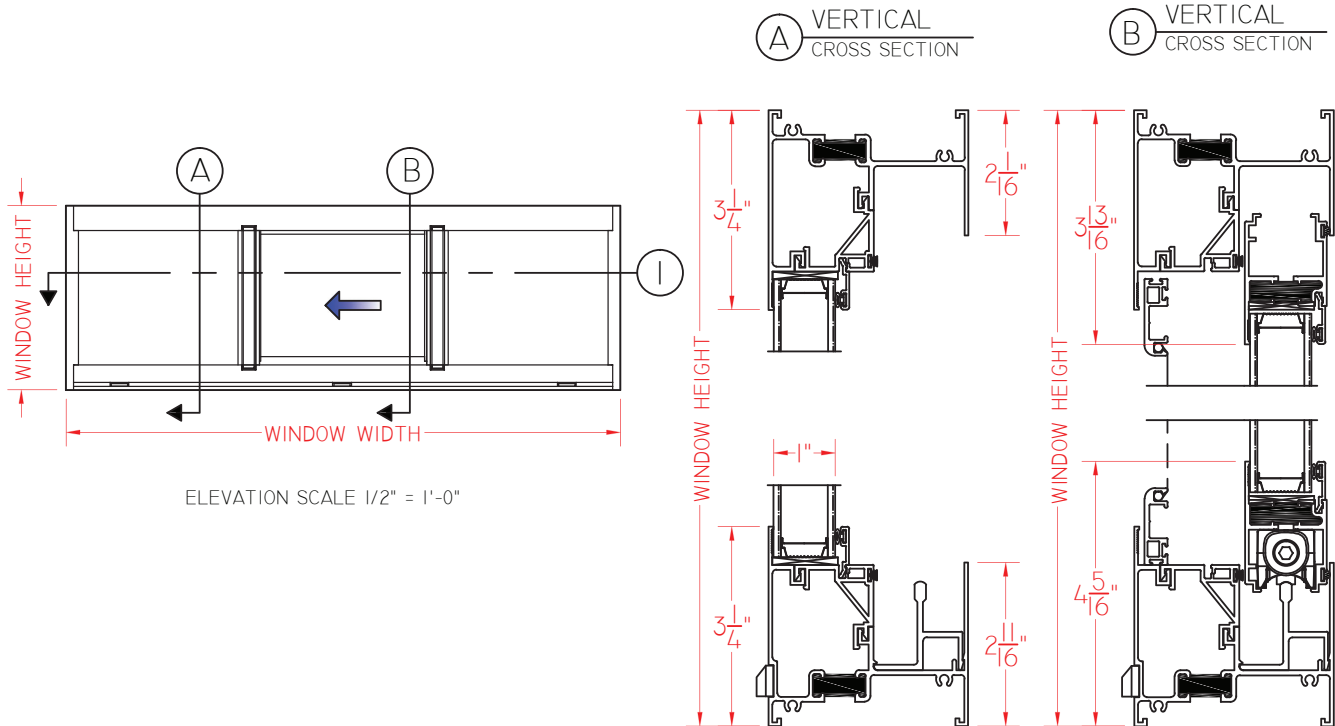
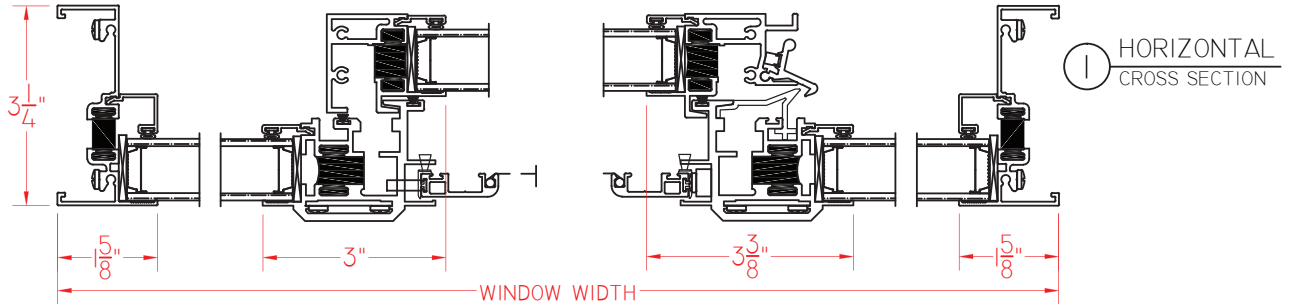




E300 Series
3 1/4" Frame Depth
Horizontal Slider

E300 CENTER VENT SLIDER WITHOUT NAILING FIN

This document contains confidential and proprietary information intended for the private use of Quaker.
© 2016 Quaker Window Products Co., INC. All rights reserved.
Quaker reserves the right to change any/all designs without notice. Due to periodic re-certification requirements, result shown may vary.

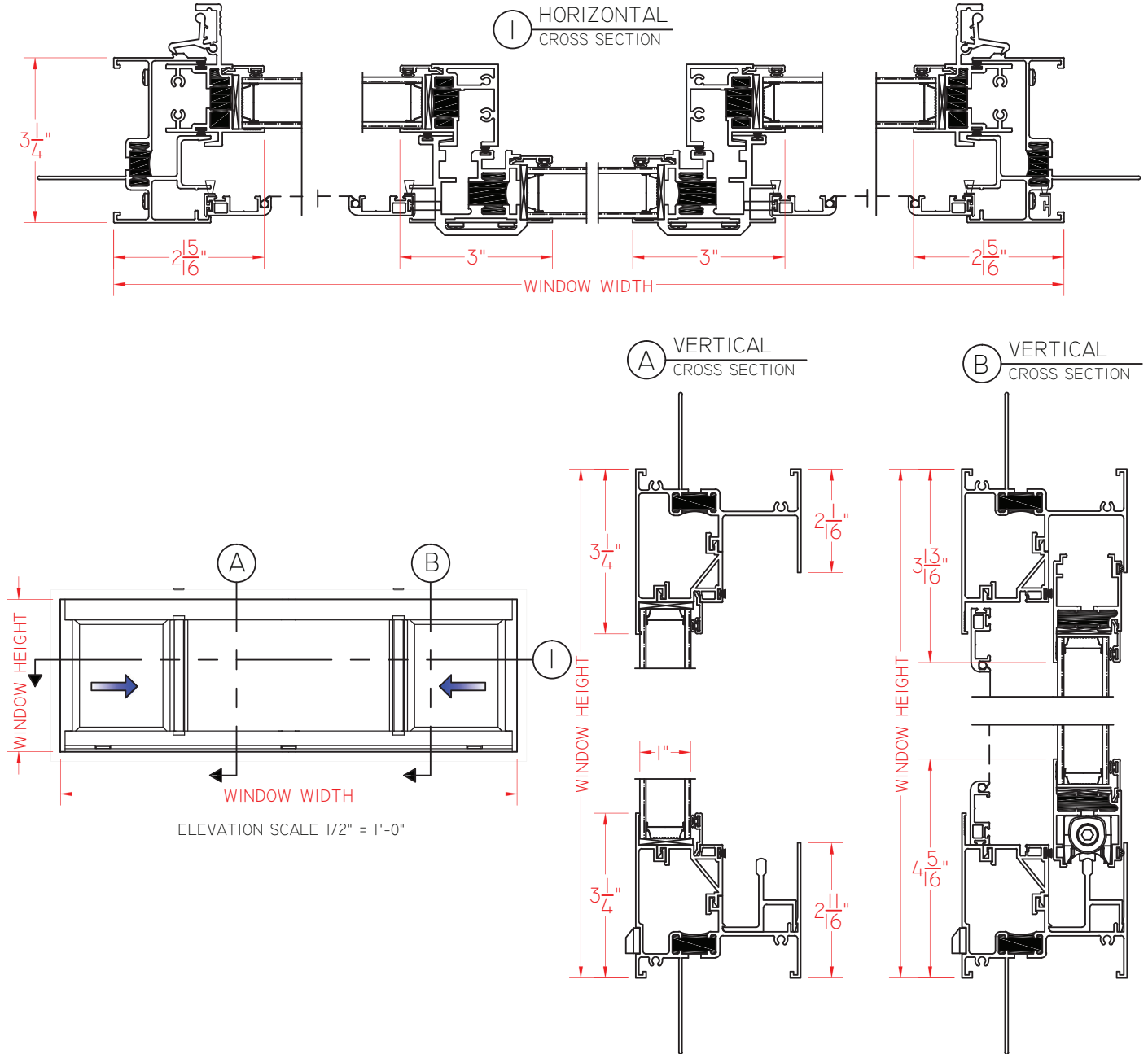


SCALE 1:3



E300 END VENT SLIDER WITH NAILING FIN

This document contains confidential and proprietary information intended for the private use of Quaker.
© 2016 Quaker Window Products Co., INC. All rights reserved.
Quaker reserves the right to change any/all designs without notice. Due to periodic re-certification requirements, result shown may vary.



Our products are tested to the standards of and certified by some of the foremost organizations in the fenestration industry.

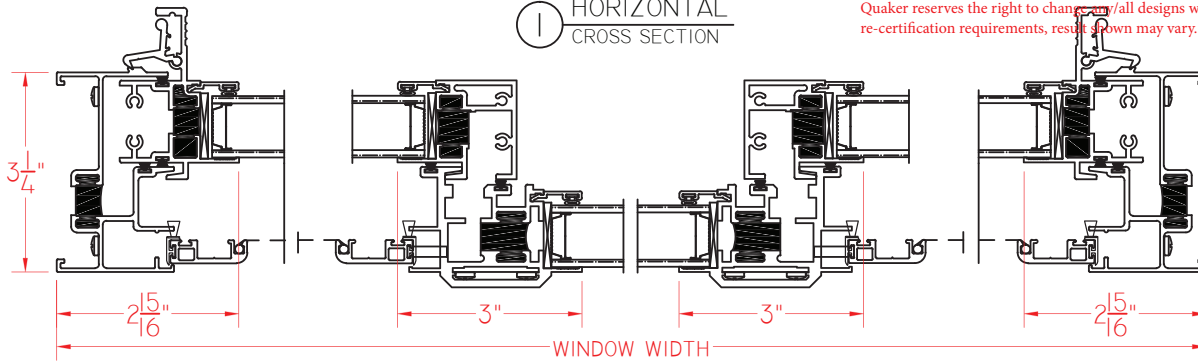




E300 END VENT SLIDER WITHOUT NAILING FIN

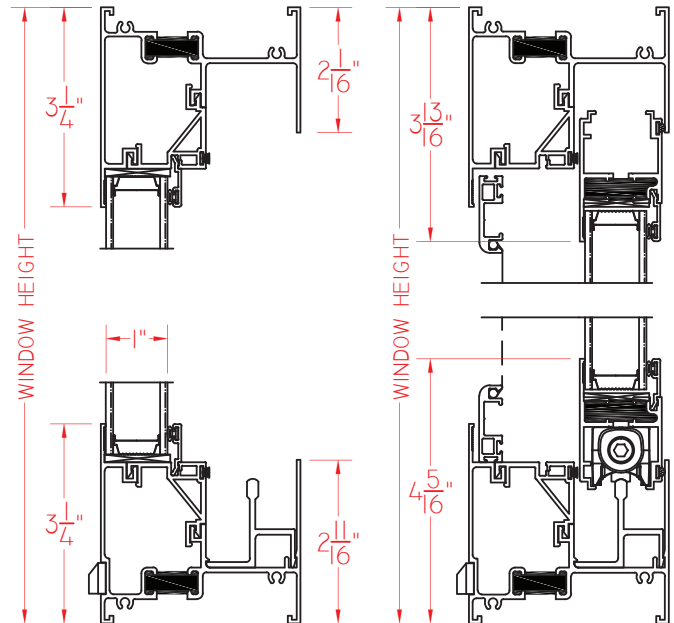
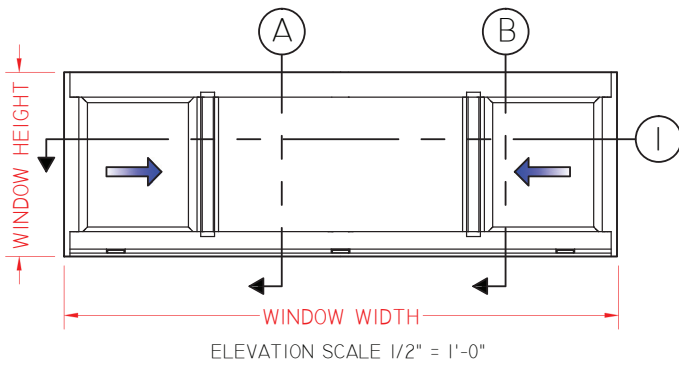
This document contains confidential and proprietary information intended for the private use of Quaker.
© 2016 Quaker Window Products Co., INC. All rights reserved.
Quaker reserves the right to change any/all designs without notice. Due to periodic re-certification requirements, results shown may vary.

① HORIZONTAL CROSS SECTION



⑤ A VERTICAL CROSS SECTION

⑥ B VERTICAL CROSS SECTION



SCALE 1:3

Our products are tested to the standards of and certified by some of the foremost organizations in the fenestration industry.

