



C600/C605 Series 4 1/8" Frame Depth Fixed

C600/C605 SERIES FIXED

FEATURES

- ◇ **Framing System**
 - Patented OptiCore Technology
 - 4 1/8" architectural grade aluminum frame
 - Dual Euro-Groove frame system
- ◇ **Enhanced Design**
 - Azo-Core Thermal Barrier System for reduced thermal-conductivity and increased energy-efficiency
 - Modern, squared frame glazing (C600 Series) or Traditional/Historic beveled frame glazing (C605 Series)
 - 1 3/8" narrow sitalines
 - With or without Integral Nailing Fin
- ◇ **Glazing**
 - 1" insulating glass
 - Dual-sealed Warm Edge Super Spacer system

OPTIONS

- ◇ **Available Configurations**
 - Fixed
 - Wire frame capabilities
- ◇ **Enhanced Design**
 - If using wire-frame set-up with an operating unit as part of the design, 2 7/8" casement framing will be used
- ◇ **Muntin Choices**
 - Internal or simulated divided lites available
- ◇ **Glazing**
 - Multiple Low-E and argon glazing choices
 - Impact-rated glazing package
 - Glazing pocket can accept up to 1 3/8" insulated glass for sound attenuation purposes
 - Triple glazing
 - WACI Blind System
 - Capillary tubes
 - Wide variety of tinting and pane thickness options
- ◇ **Panning & Trim Choices**
 - Wide variety of panning, receptor and trim available
- ◇ **Mulling**
 - Wide variety of structural mulls

BENEFITS

- ◇ Capacity to match exterior colors for unique project facades
- ◇ Two-tone capabilities with a color to match the building interior and another to match the exterior
- ◇ Maximum sizing affords the facilitation of large sizes for taller and wider window openings
- ◇ Thermal performances never thought achievable in aluminum windows

PERFORMANCE

- ◇ Structural & Thermal (test reports available upon request)

Model	C600/C605 Fixed	
	AW-PG100-F	AW-PG80-F
NAFS Rating	60" x 99"	72" x 120"
Test Size	150.38	120.30
Design Pressure (P.S.F.)	<0.10	
Air Infiltration at 25 MPH (cfm/ft ²)	15.04	12.11
Water Resistance (P.S.F.)	47-77	
CR (Condensation Resistance)	0.15-0.30	
U-Value (ranges based on multiple Low-E/Argon combinations)	0.13-0.57	
SHGC (ranges based on multiple Low-E/Argon combinations)	28-35 / 28-41	
OITC/STC		

CR, U-Value and SHGC values shown are a range based on Quaker's most popular glass package options in all-window testing (not center-of-glass testing). Test results were achieved with no grids. The addition of optional grids may cause the results to vary slightly. Other available glass options may result in scores outside of the range shown.

OITC/STC ranges are based on the use of multiple glass pane thicknesses.

Our products are tested to the standards of and certified by some of the foremost organizations in the fenestration industry.



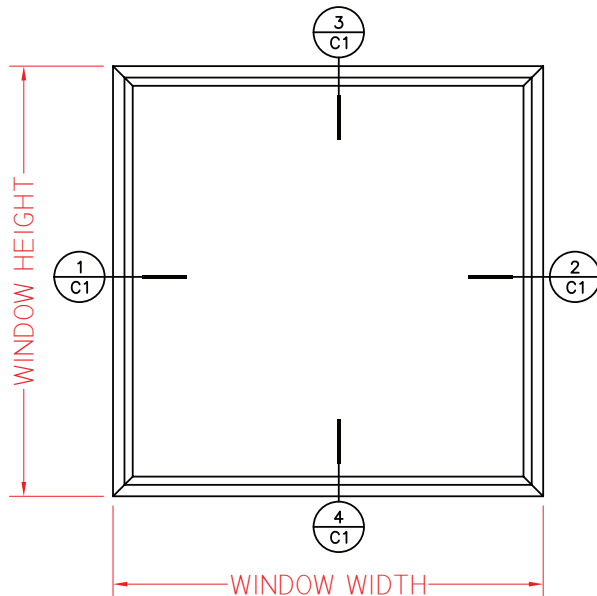
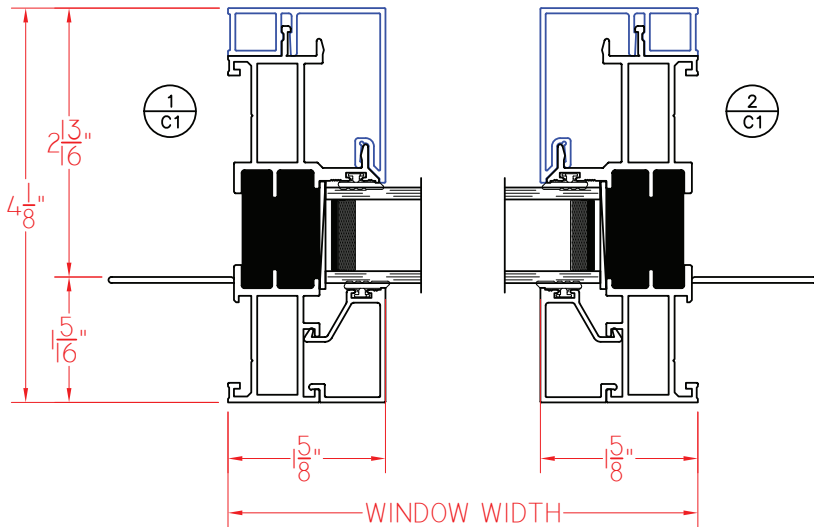


C600/C605 Series 4 1/8" Frame Depth Fixed

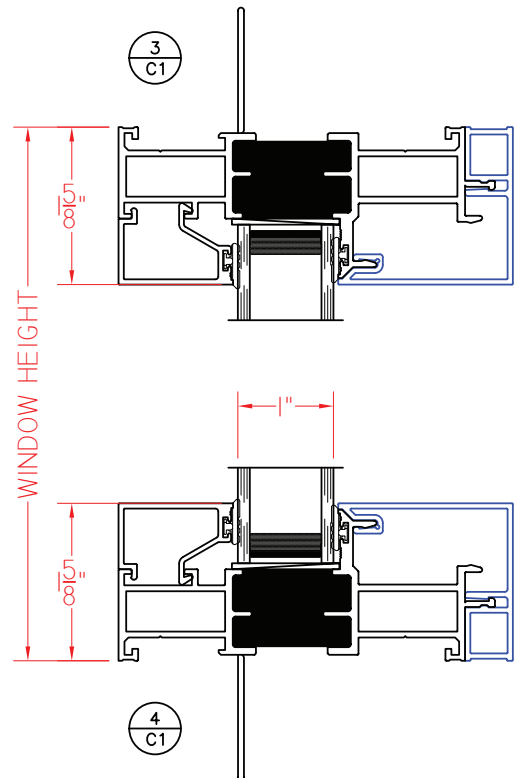
C600 SERIES FIXED

WITH NAILING FIN AND
SQUARE GLAZING STOPS

This document contains confidential and proprietary information intended for the private use of Quaker.
© 2019 Quaker Window Products Co., INC. All rights reserved.
Quaker reserves the right to change any/all designs without notice. Due to periodic re-certification requirements, result shown may vary.



ELEVATION SCALE 3/4" = 1'-0"



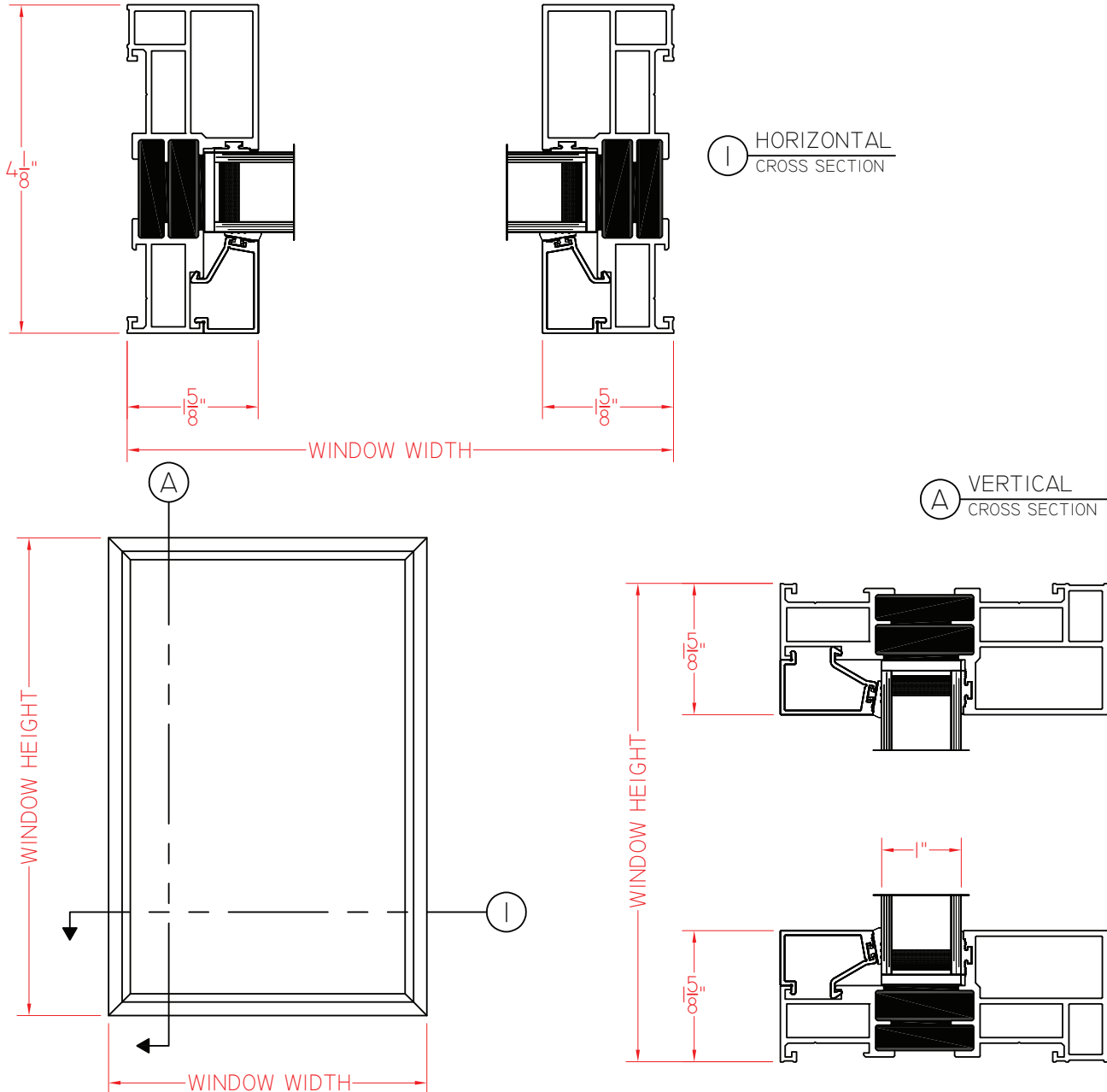
Our products are tested to the standards of and certified by some of the foremost organizations in the fenestration industry.



C600 SERIES FIXED

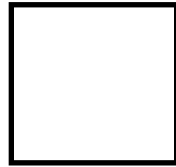
WITH NO NAILING FIN AND SQUARE GLAZING STOPS

This document contains confidential and proprietary information intended for the private use of Quaker.
© 2019 Quaker Window Products Co., INC. All rights reserved.
Quaker reserves the right to change any/all designs without notice. Due to periodic re-certification requirements, result shown may vary.



Our products are tested to the standards of and certified by some of the foremost organizations in the fenestration industry.



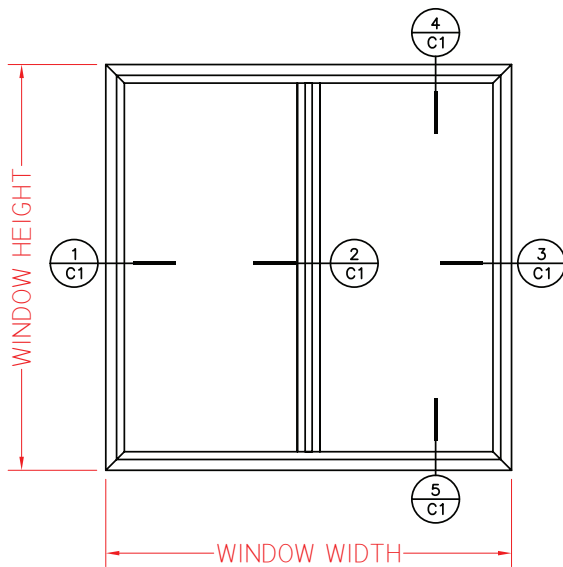
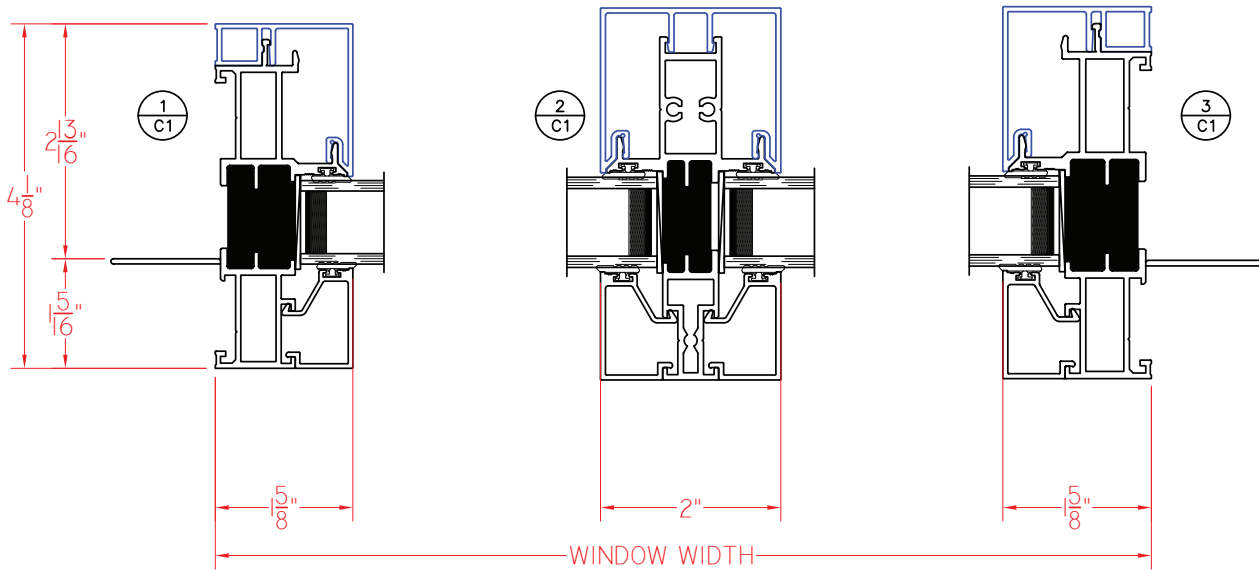


C600/C605 Series 4 1/8" Frame Depth Fixed

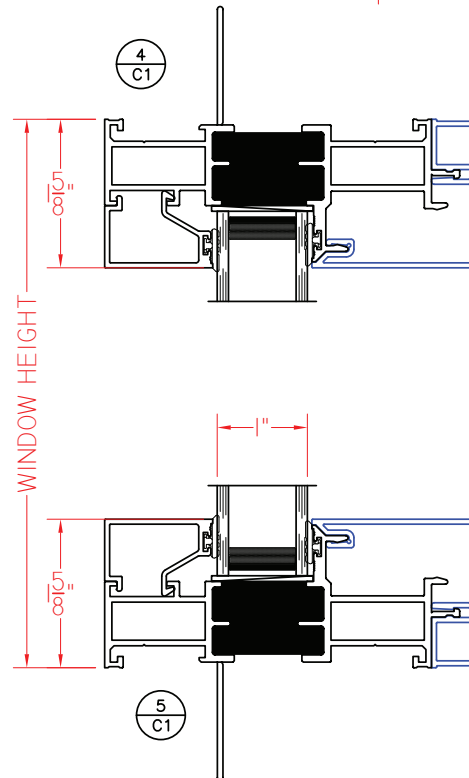
C600 SERIES FIXED/FIXED - SIDE BY SIDE

WITH NAILING FIN AND
SQUARE GLAZING STOPS

This document contains confidential and proprietary information intended for the private use of Quaker.
© 2019 Quaker Window Products Co., INC. All rights reserved.
Quaker reserves the right to change any/all designs without notice. Due to periodic re-certification requirements, result shown may vary.



ELEVATION SCALE 3/4" = 1'-0"



Our products are tested to the standards of and certified by some of the foremost organizations in the fenestration industry.



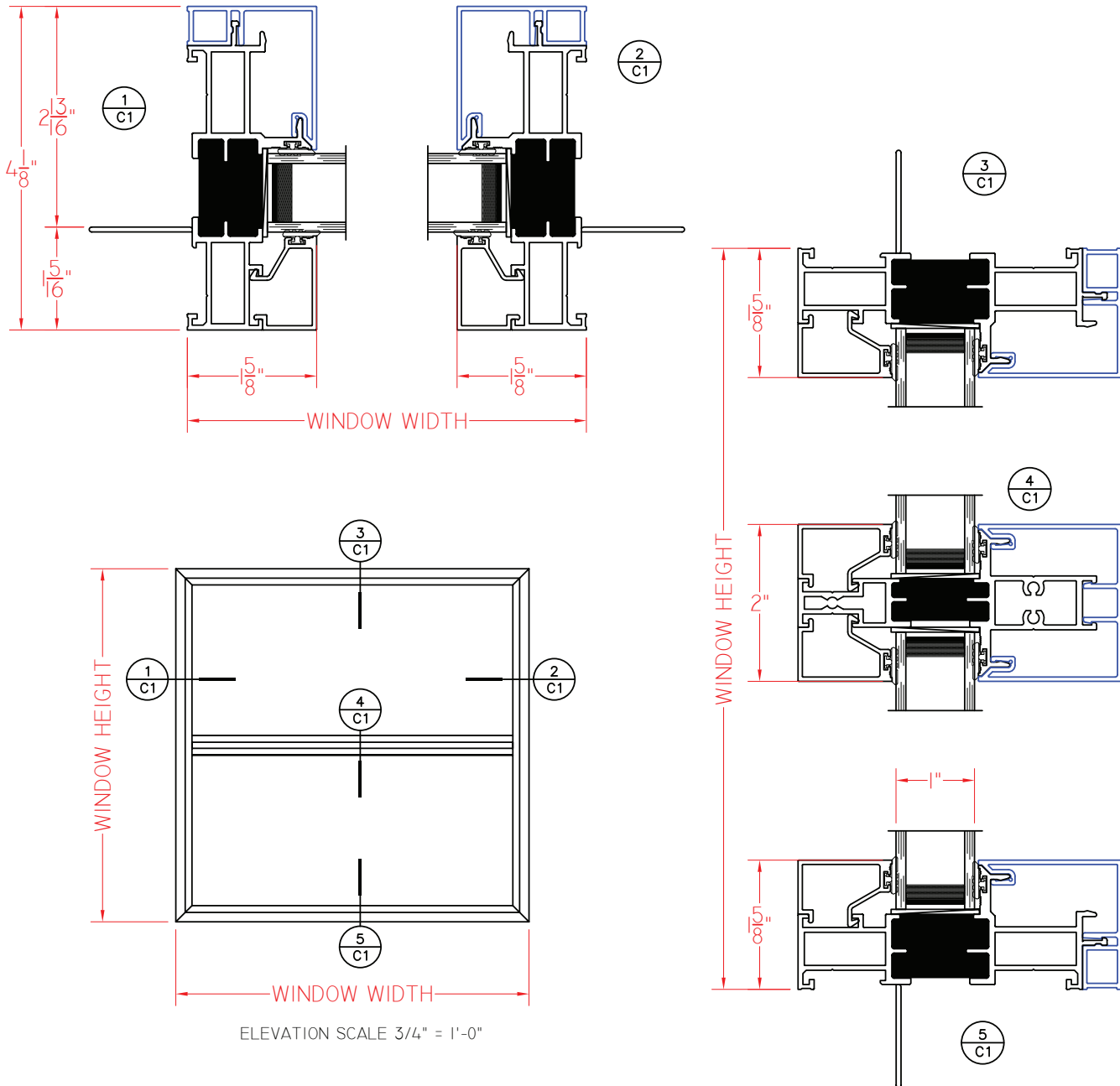


C600/C605 Series 4 1/8" Frame Depth Fixed

C600 SERIES FIXED/FIXED - STACKED

WITH NAILING FIN AND
SQUARE GLAZING STOPS

This document contains confidential and proprietary information intended for the private use of Quaker.
© 2019 Quaker Window Products Co., INC. All rights reserved.
Quaker reserves the right to change any/all designs without notice. Due to periodic re-certification requirements, result shown may vary.



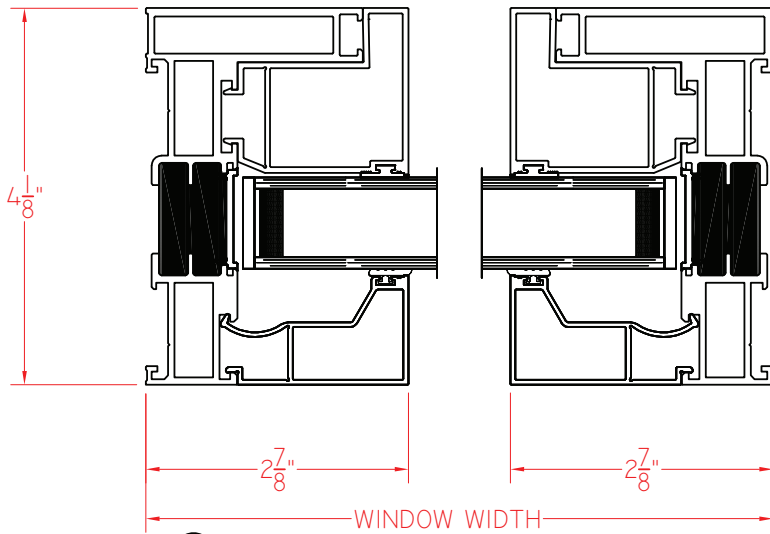
Our products are tested to the standards of and certified by some of the foremost organizations in the fenestration industry.



C600 SERIES WIDE FRAME FIXED

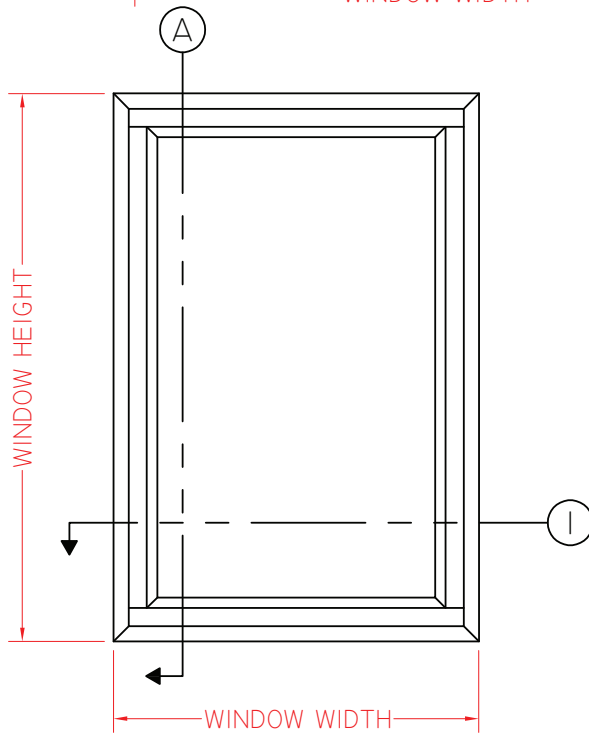
WITH NO NAILING FIN AND SQUARE GLAZING STOPS

This document contains confidential and proprietary information intended for the private use of Quaker.
© 2019 Quaker Window Products Co., INC. All rights reserved.
Quaker reserves the right to change any/all designs without notice. Due to periodic re-certification requirements, result shown may vary.

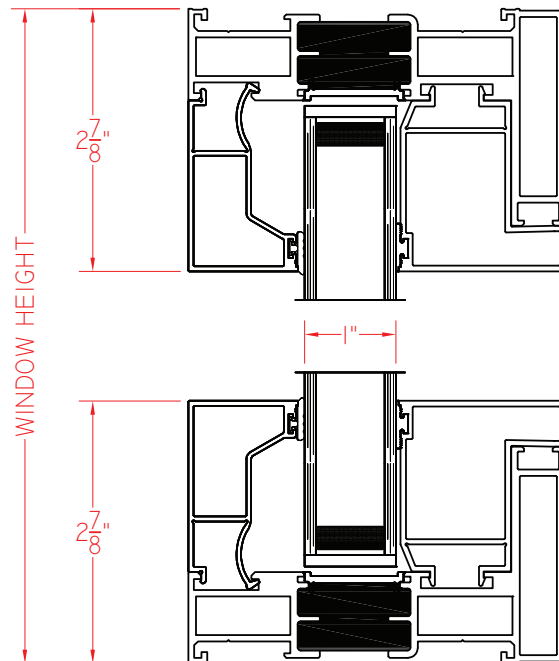


① HORIZONTAL CROSS SECTION

Ⓐ VERTICAL CROSS SECTION



ELEVATION SCALE 1" = 1'-0"



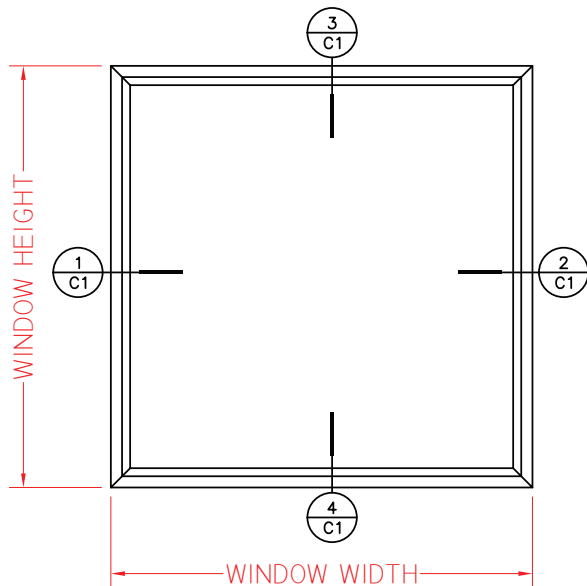
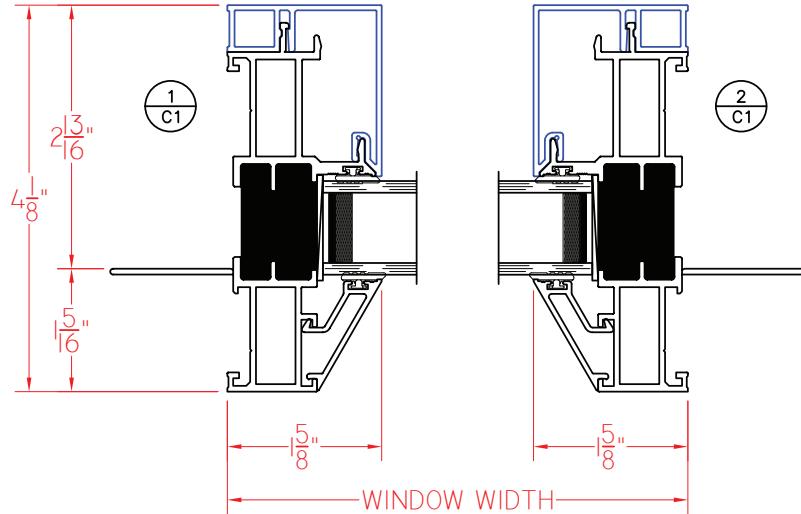
Our products are tested to the standards of and certified by some of the foremost organizations in the fenestration industry.



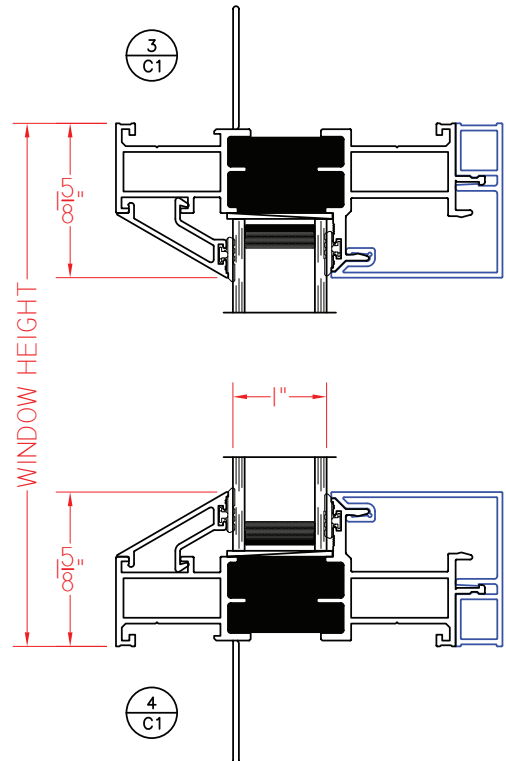
C605 SERIES FIXED

**WITH NAILING FIN AND
BEVELED GLAZING STOPS**

This document contains confidential and proprietary information intended for the private use of Quaker.
© 2019 Quaker Window Products Co., INC. All rights reserved.
Quaker reserves the right to change any/all designs without notice. Due to periodic re-certification requirements, result shown may vary.



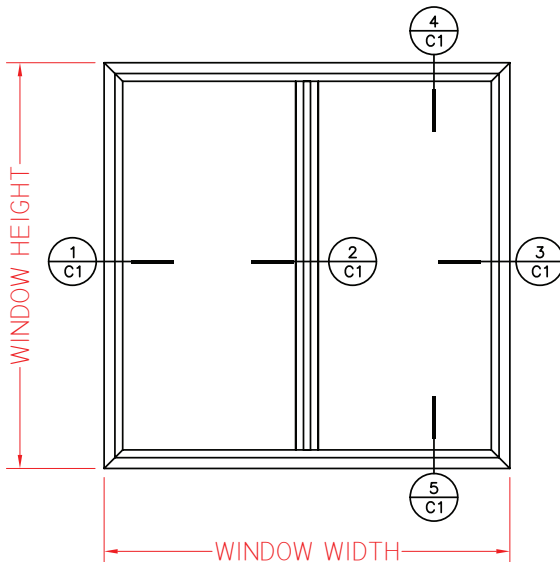
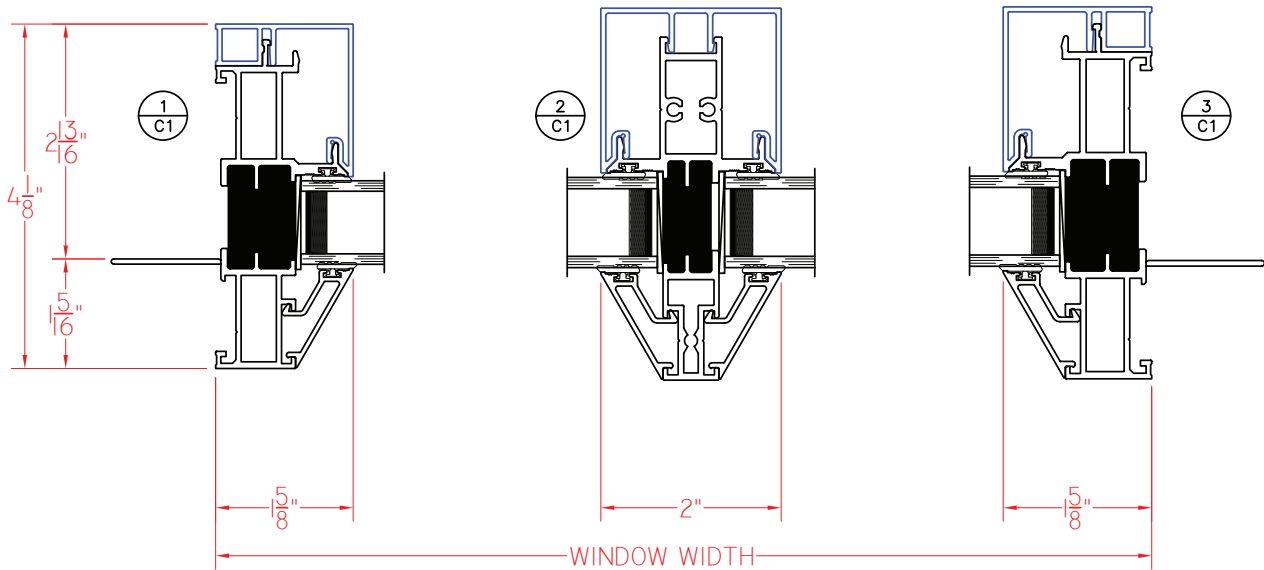
ELEVATION SCALE 3/4" = 1'-0"



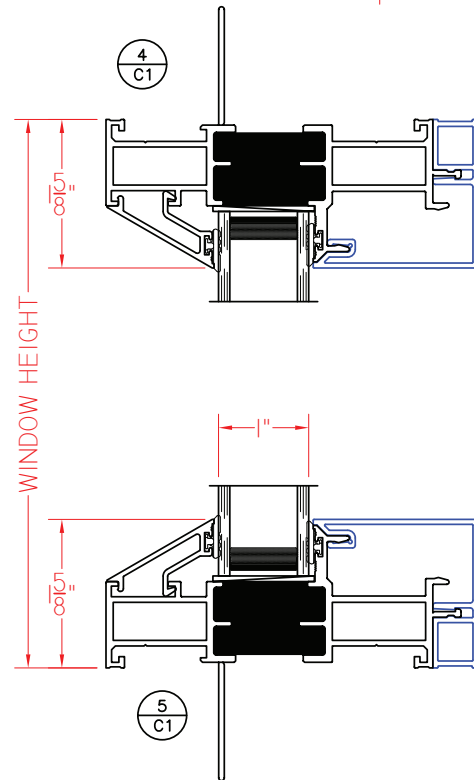
C605 SERIES FIXED/FIXED - SIDE BY SIDE

WITH NAILING FIN AND
BEVELED GLAZING STOPS

This document contains confidential and proprietary information intended for the private use of Quaker.
© 2019 Quaker Window Products Co., INC. All rights reserved.
Quaker reserves the right to change any/all designs without notice. Due to periodic re-certification requirements, result shown may vary.



ELEVATION SCALE 3/4" = 1'-0"



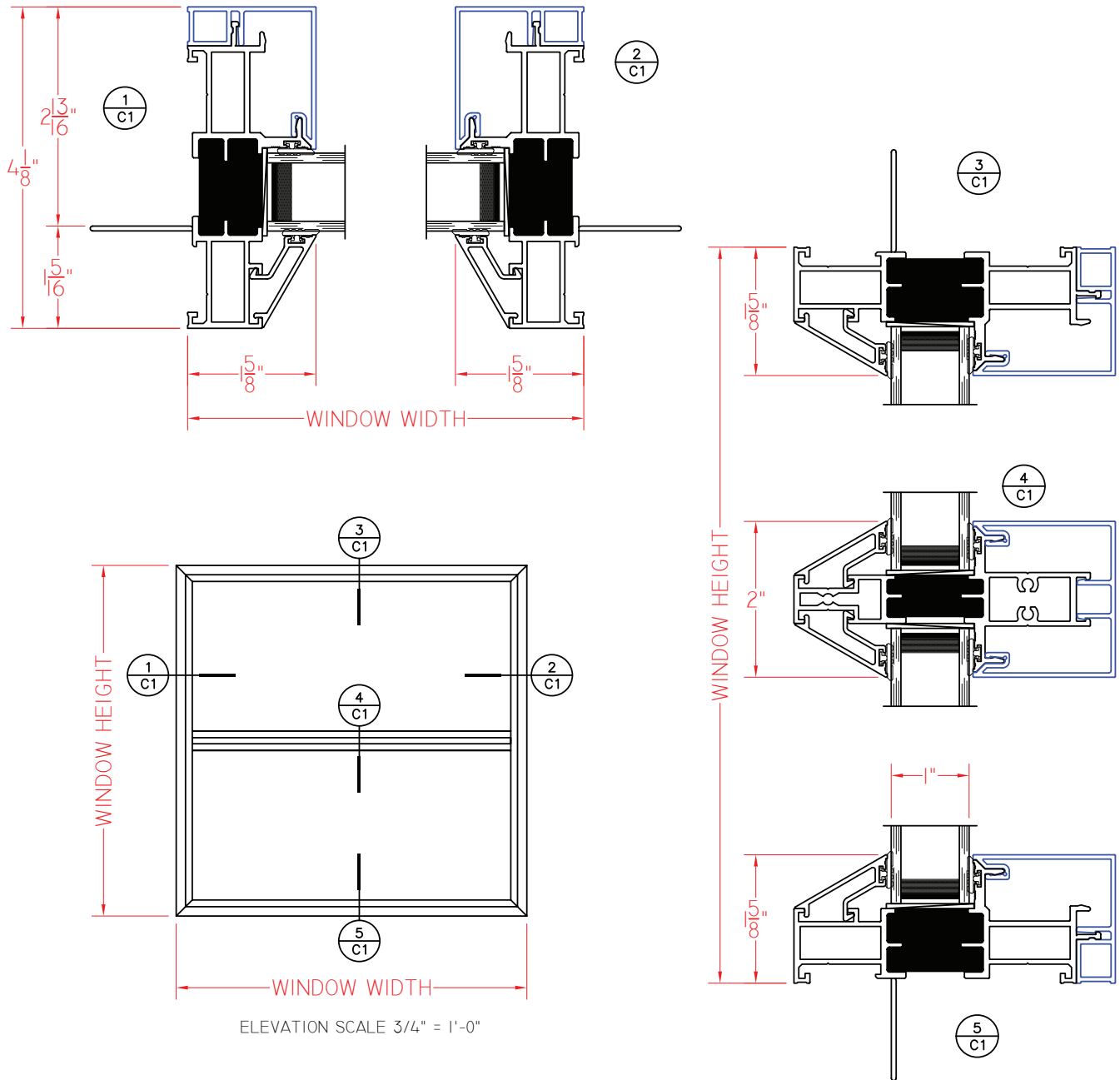
Our products are tested to the standards of and certified by some of the foremost organizations in the fenestration industry.



C605 SERIES FIXED/FIXED - STACKED

**WITH NAILING FIN AND
BEVELED GLAZING STOPS**

This document contains confidential and proprietary information intended for the private use of Quaker.
© 2019 Quaker Window Products Co., INC. All rights reserved.
Quaker reserves the right to change any/all designs without notice. Due to periodic re-certification requirements, result shown may vary.



Our products are tested to the standards of and certified by some of the foremost organizations in the fenestration industry.

