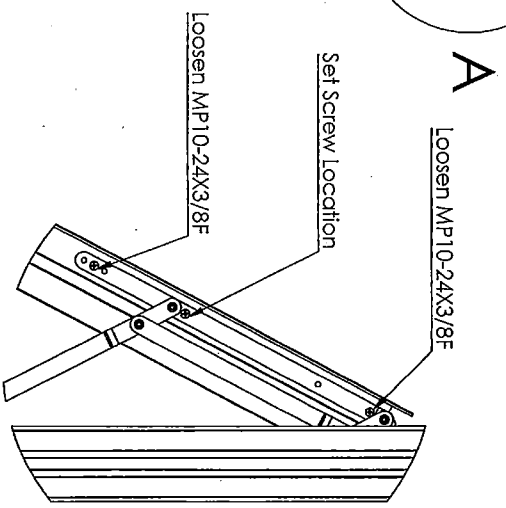
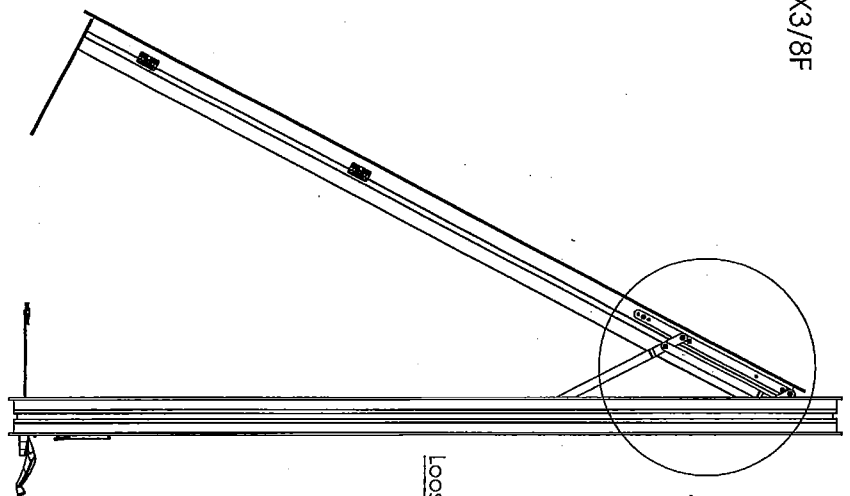
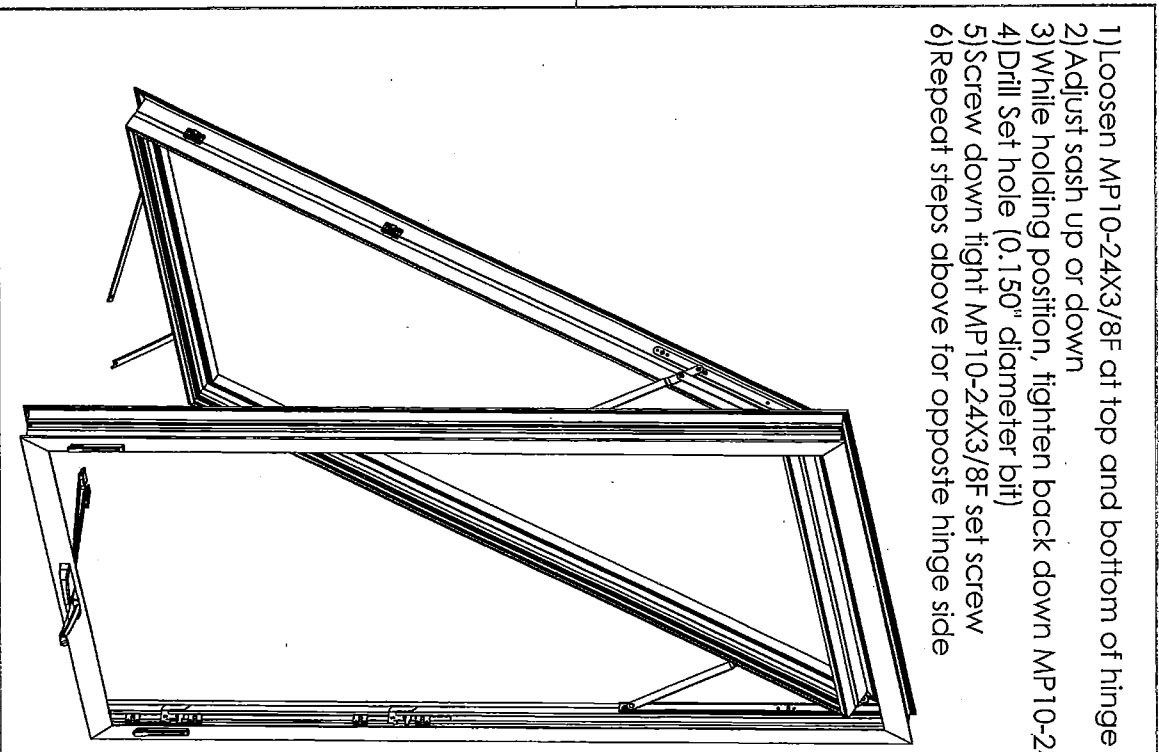


# SASH HINGE ADJUSTMENT

- 1) Loosen MP10-24X3/8F at top and bottom of hinge
- 2) Adjust sash up or down
- 3) While holding position, tighten back down MP10-24X3/8F
- 4) Drill Set hole (0.150" diameter bit)
- 5) Screw down tight MP10-24X3/8F set screw
- 6) Repeat steps above for opposite hinge side



**DETAIL A**  
SCALE 1 : 5

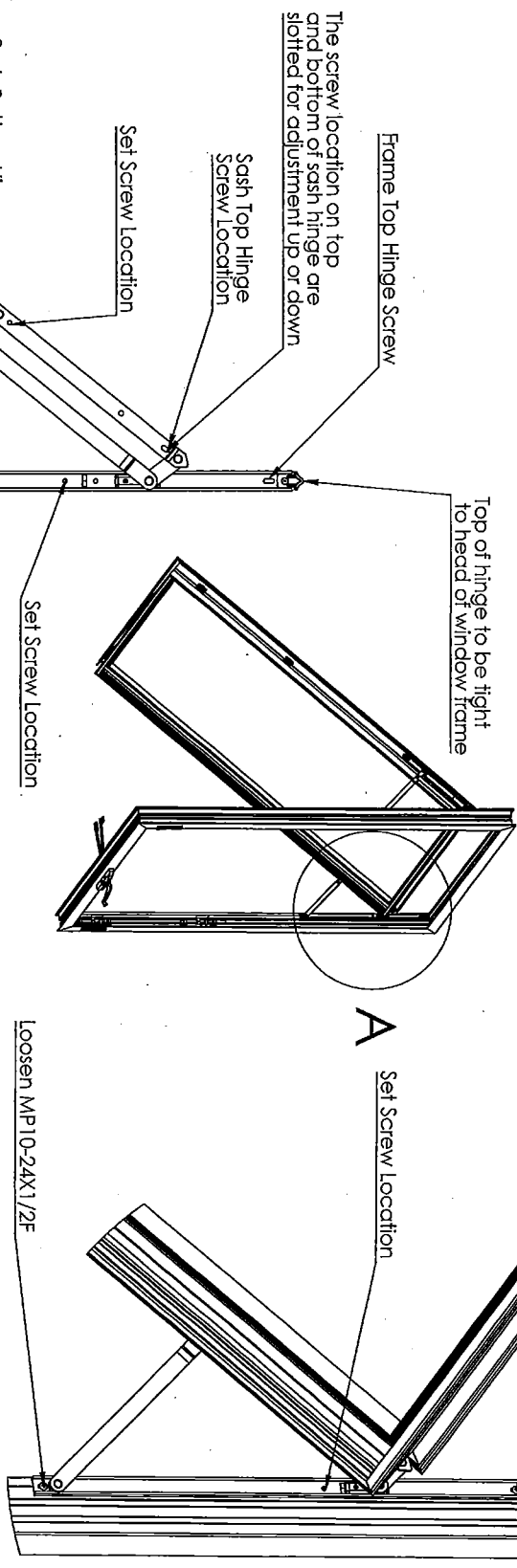
REPRODUCTION AND CONTINUED USE OF THIS DRAWING IS THE SOLE PROPERTY OF GILBERT WINDOW PRODUCTS CO. INC. WITHOUT THE WRITTEN PERMISSION OF GILBERT WINDOW PRODUCTS CO. INC. IS FORBIDDEN.

UNLESS OTHERWISE SPECIFIED:		DATE	
DIMENSIONS ARE IN INCHES	DRAWN	CHECKED	
FRACTIONS		ENG APPR.	
ANGULAR MATCH - BEND ±		MFG APPR.	
THICKNESS DIMENSION ±		G.A.	
INTERPRET GEOMETRIC TOLERANCING PER:		COMMENTS:	
MATERIAL 6063-T6 ALUMINIUM			
FINISH PAINTED			
DO NOT SCALE DRAWING			
APPLICATION	USED ON		
NEXT ASST			
TITLE:		SIZE	REV
Awning Roto 4 Bar Sash Adjustment		DWG. NO. 2	
SCALE: 1:20			SHEET 1 OF 1

4 3 2 1

**FRAME HINGE ADJUSTMENT**

- 1) Loosen MP10-24X1/2F at top and bottom of hinge
- 2) Top of hinge should be tight to head of window frame
- 3) While holding position, tighten back down MP10-24X1/2F
- 4) Drill Set hole (0.150" diameter bit) if not present
- 5) Screw down tight MP10-24X1/2F set screw
- 6) Repeat steps above for opposite hinge side



**DETAIL A**  
**SCALE 1 : 5**

THE INFORMATION AND CONTENTS OF THIS DRAWING ARE THE SOLE PROPERTY OF QUAKER WINDOW PRODUCTS CO. INC. REPRODUCTION IN PART OR AS A WHOLE WITHOUT THE WRITTEN PERMISSION OF QUAKER WINDOW PRODUCTS CO. INC. IS PROHIBITED.

UNLESS OTHERWISE SPECIFIED:		DRAWN		DATE	
DIMENSIONS ARE IN INCHES		CHECKED			
FRACTIONS		ENG APPR.			
ANGULAR: MACH. ±		MFG APPR.			
TWO PLACE DECIMAL ±		G.A.			
TOLERANCES PER:		COMMENTS:			
FRACTIONAL DIMENSIONS					
MATERIAL					
6063-T6 ALUMINUM					
FINISH					
PAINTED					
NEXT ASSY					
LIBED ON					
APPLICATION					
DO NOT SCALE DRAWING					
TITLE:		SIZE:		DWG. NO.:	
Awning Roto 4 Bar		B		3	
Sash Adjustment		SCALE: 1:20		REV	
				SHEET 1 OF 1	

4 3 2 1